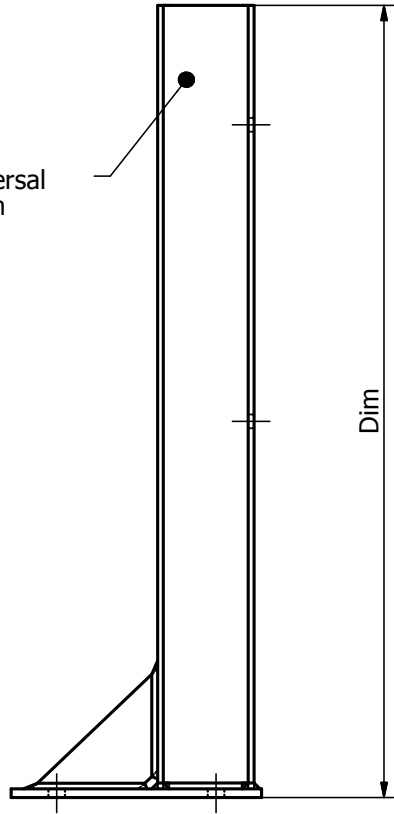
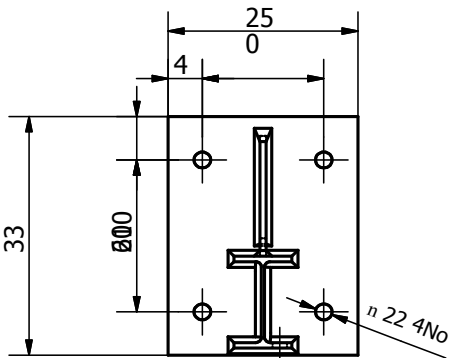


Universal Beam



Part No	Dim 'A'	Dim 'B'	Weight
ORC001-547	547	N/A	16.32
ORC001-747	747	N/A	19.92
ORC001-1095	1095	410	22.64



Note:
Floor Fixing Anchors

